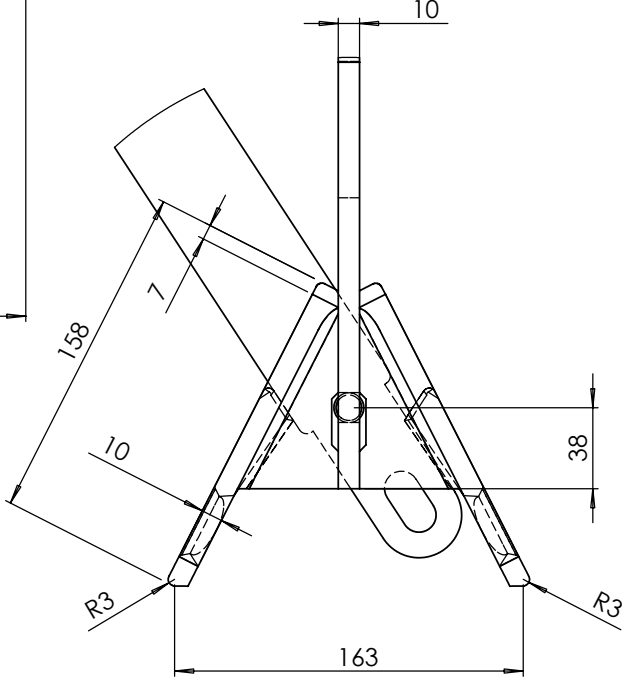
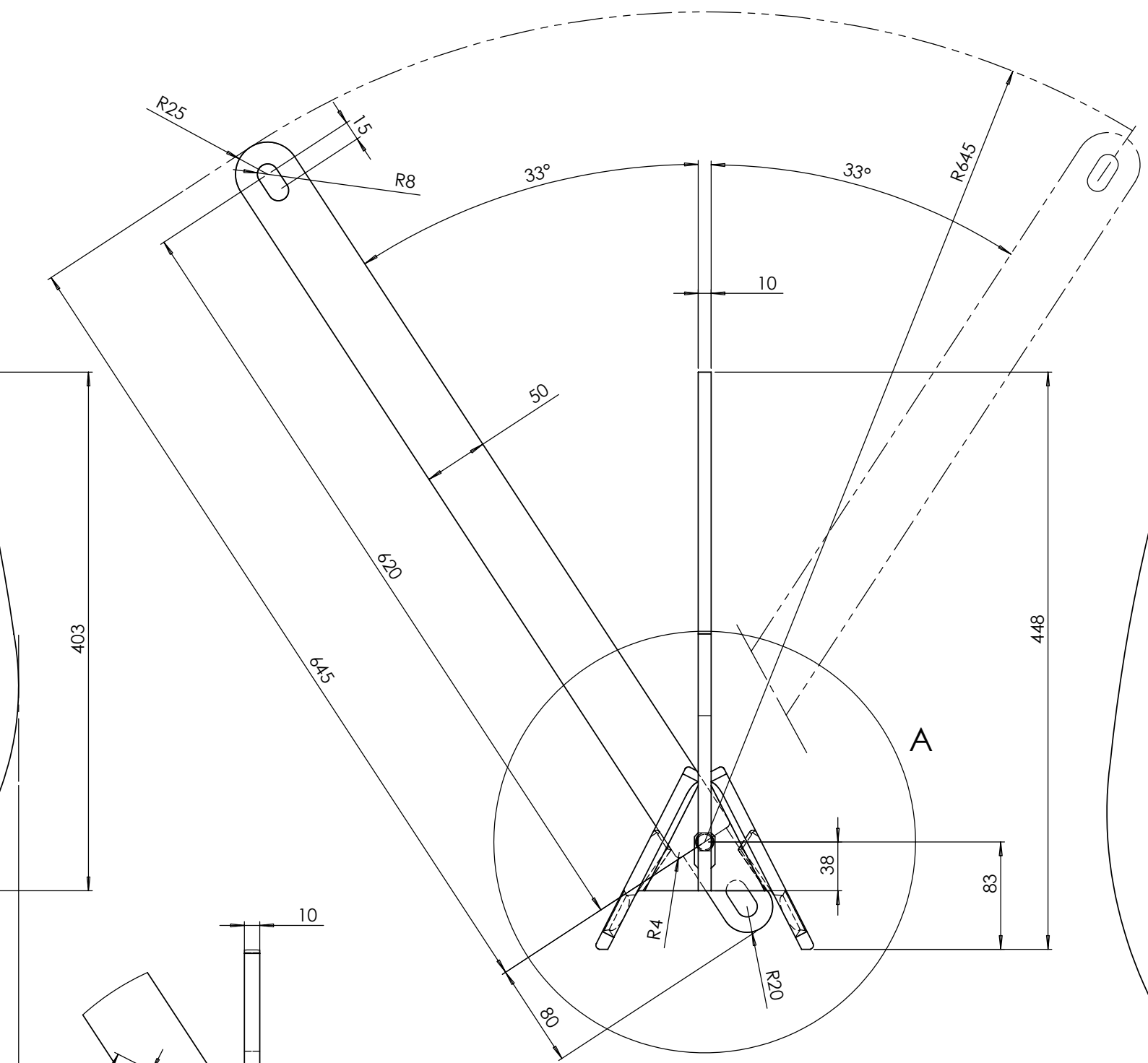
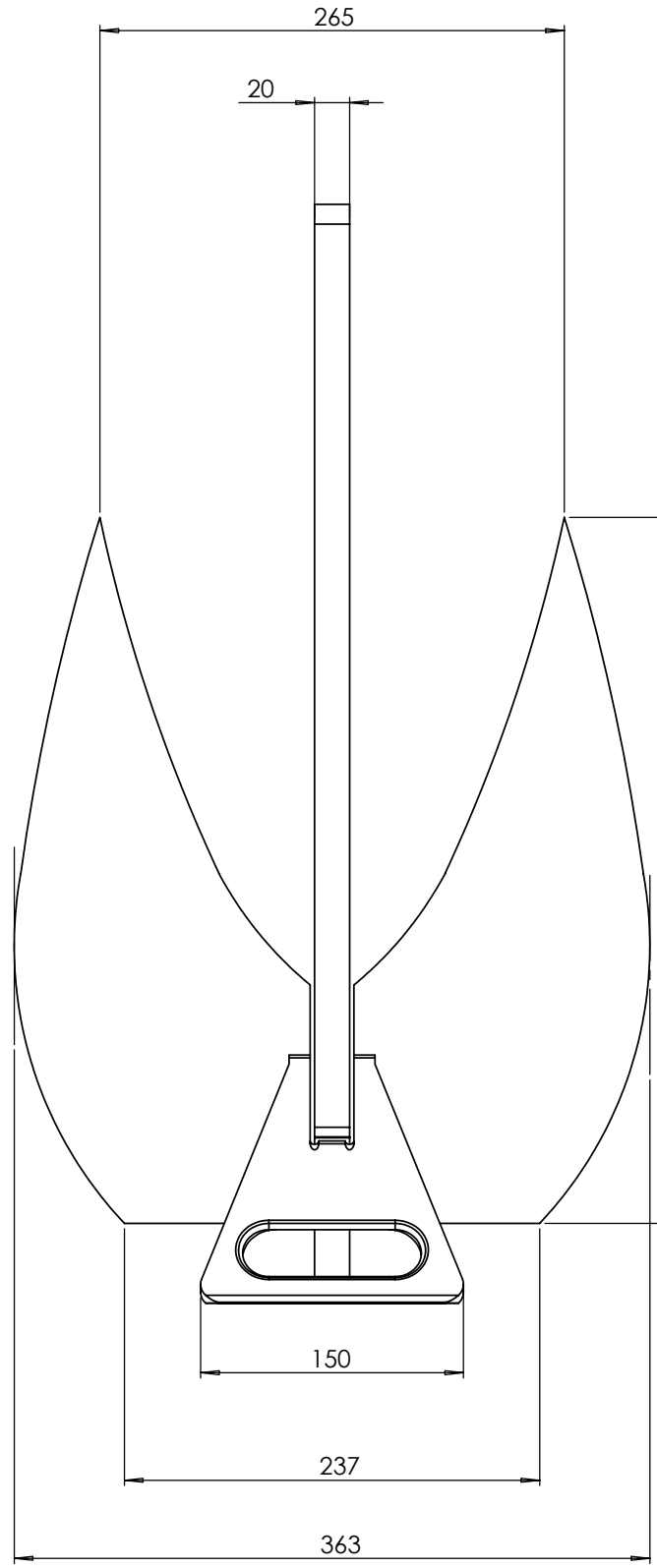
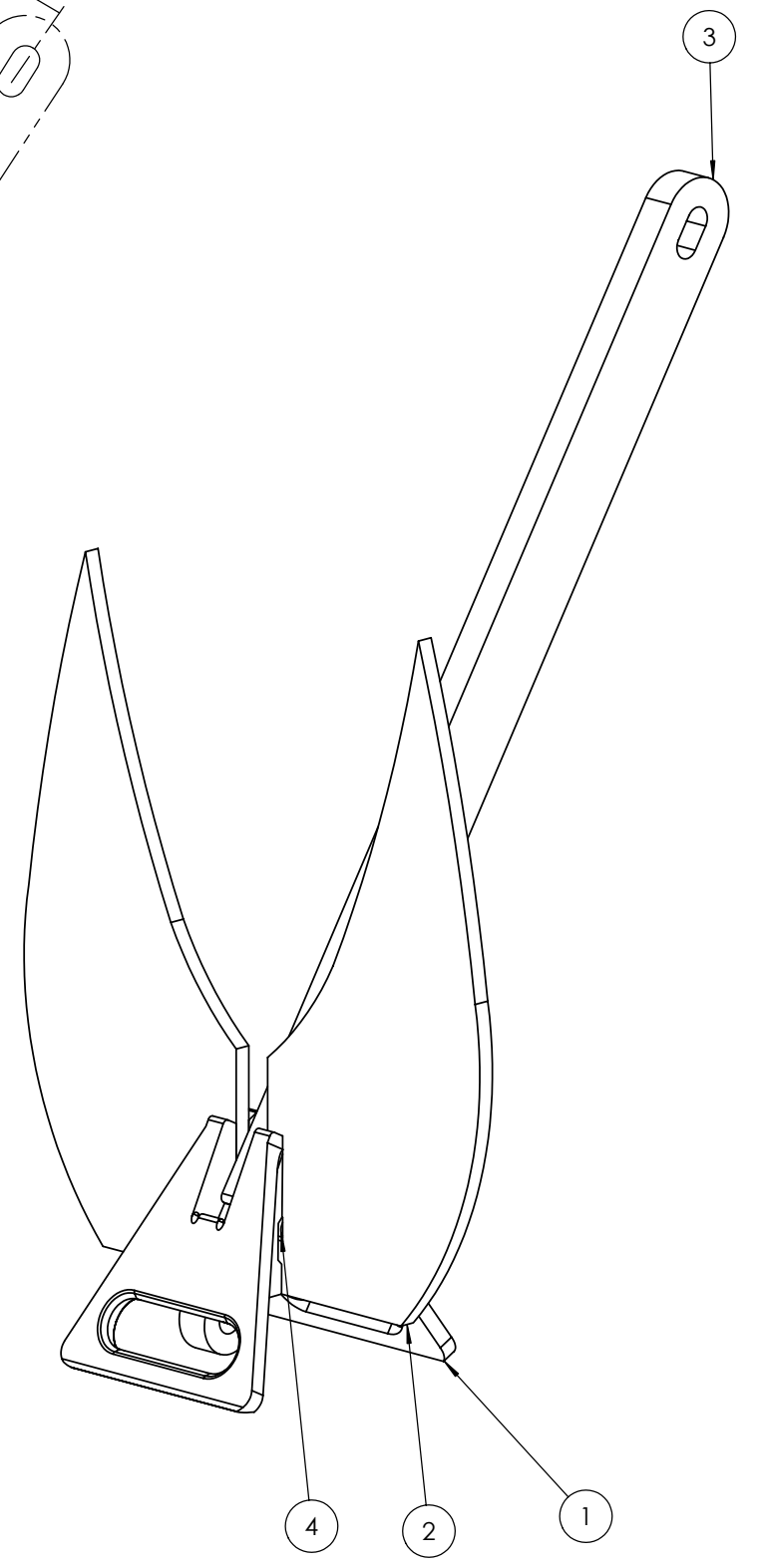


No. ARTICLE	NUMERO DE PIECE	QTE
1	MASSIF ass-14kg	1
2	fob-oxy 14kg hp	2
3	verge-14	1
4	axe-12x48	1



DÉTAIL A
ECHELLE 2 : 5



UNLESS OTHERWISE SPECIFIED: DIMENSIONS ARE IN MILLIMETERS		FINISH: galva à chaud		DEBUR AND BREAK SHARP EDGES		DO NOT SCALE DRAWING		REVISION	
SURFACE FINISH:									
TOLERANCES:									
LINEAR:									
ANGULAR:									
DRAWN: LAUGIER		SIGNATURE:		DATE: 28/07/2004		TITLE: HP 14 KG			
CHK'D:									
APP'V'D:									
MFG:									
G.A.:						MATERIAL:		DWG NO. ANCRE FOB HP-14KG A2	
						WEIGHT: 14.257KG		SCALE:1:3 SHEET 1 OF 4	